

# BASIC PART NUMBER:

10017657-20XXX—X L F

RoHS COMPLIANT SPECIFICATION (SEE NOTE 4)

OPTION

(BLANK : NO CUSTOMIZATION)

( : CUSTOMIZED REQUEST)

CARDBUS: 0 — NO  
1 — YES

INSULATOR: 0 — NO  
1 — FCI LONG  
2 — FCI SHORT  
3 — CUSTOMIZED

LABEL RECESS: 0 — NO  
1 — YES(LONG, 66x42mm)  
2 — YES(SHORT, 63x42mm)

OPEN END

CARD TYPE: II

## NOTES:

1. CARDSHIELD: STAINLESS STEEL, THICKNESS 0.2MM, SURFACE FINISH: MATTE.
2. FRAME BAR: PPO OR PA46, COLOR BLACK, UL94V-0.
3. INSULATOR: POLYESTER FILM WITH ADHESIVE, 3M 1350 OR EQUIVALENT.
4. 10017657-20XXX-XX IS SIMILAR TO 10017657-20XXX-XLF  
 THE SUFFIX " LF " IS ADDED FOR LEAD FREE IDENTIFICATION,  
 THIS PRODUCT MEETS EUROPEAN UNION DIRECTIVES AND OTHER  
 COUNTRY REGULATIONS AS PER GS-22-008.
5. PACKING SPEC. PER GS-14-775.

mat'l code				tolerance unless otherwise specified				CUSTOMER COPY		<b>FCI</b> www.fciconnect.com	
rev.	ecn no.	dr	date	linear				projection	title		
C	T03-0111	WL	04/03/03						ROCARD SHIELD		
D	T03-0290	WL	07/15/03	angles							
E	T03-0314	WL	08/05/03	dr	WENDY CHEN	10/21/02	unit	product family		code	
F	T06-0056	WL	04/03/06	engr	DAVID TENG	10/21/02	mm/inch	PCMCIA			
G	T06-0093	WL	05/10/06	chr	TONY CHIEN	10/21/02	scale	size	dwg no.		
H	T06-0134	WL	07/12/06	appr	JENN TSAO	10/21/02		A3	10017657		
sheet index	revision	H	F	F	F	F	F	F	H		sheet
		1	2	3	4	5	6	7	8	9	10

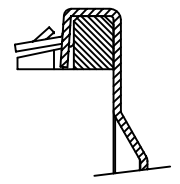
Tous droits strictement reserves. Reproduction ou communication a des tiers int sous quelque forme que ce soit sans autorisation écrite du propriétaire. Property of c BERG ELECTRONICS. Copyright BERG ELECTRONICS by  
 All rights strictly reserved. Reproduction or issue to third parties in any for whatever is not permitted without written authority from the proprietor. Property of c BERG ELECTRONICS. Copyright BERG ELECTRONICS by



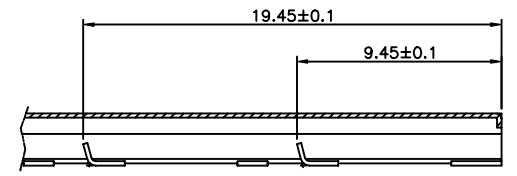
Tous droits strictement réservés. Reproduction ou communication a des tiers int sous quelque forme que ce soit sans autorisation écrite du propriétaire. Property of c BERG ELECTRONICS. Copyright BERG ELECTRONICS by

All rights strictly reserved. Reproduction or issue to third parties in any for whatever is not permitted without written authority from the proprietor. Property of c BERG ELECTRONICS. Copyright BERG ELECTRONICS by

PRODUCT NUMBER	DIM A	DIM B	DIM C	DIM D	DIM E
10017657-20110 OR 10017657-20110LF	1.4±1.0	75.6 REF	27.3 REF	4.0	66
10017657-20120 OR 10017657-20120LF	9.7±1.0	67.3 REF	19.0 REF	4.0	66
10017657-20210 OR 10017657-20210LF	1.4±1.0	75.6 REF	27.3 REF	7.0	63
10017657-20220 OR 10017657-20220LF	9.7±1.0	67.3 REF	19.0 REF	7.0	63



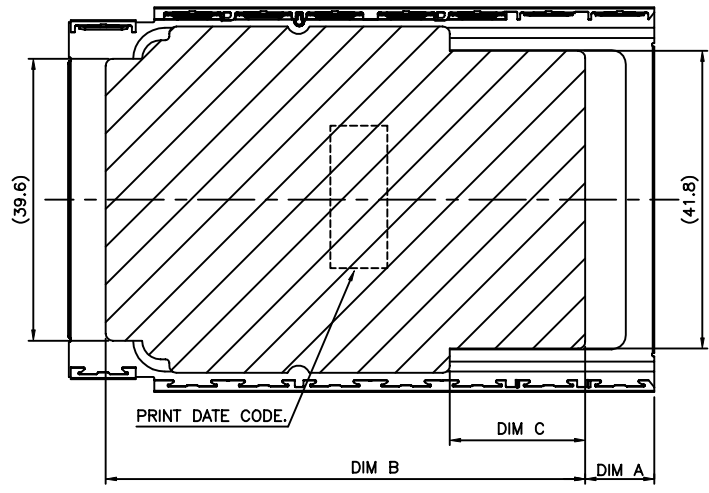
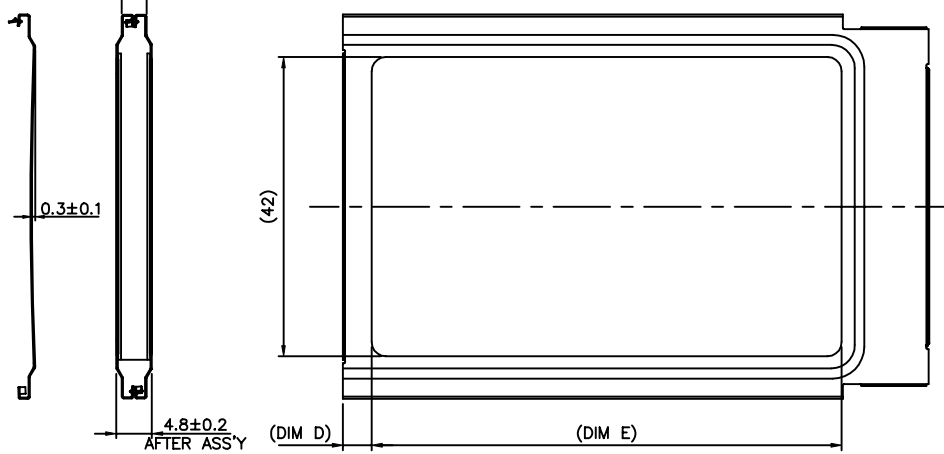
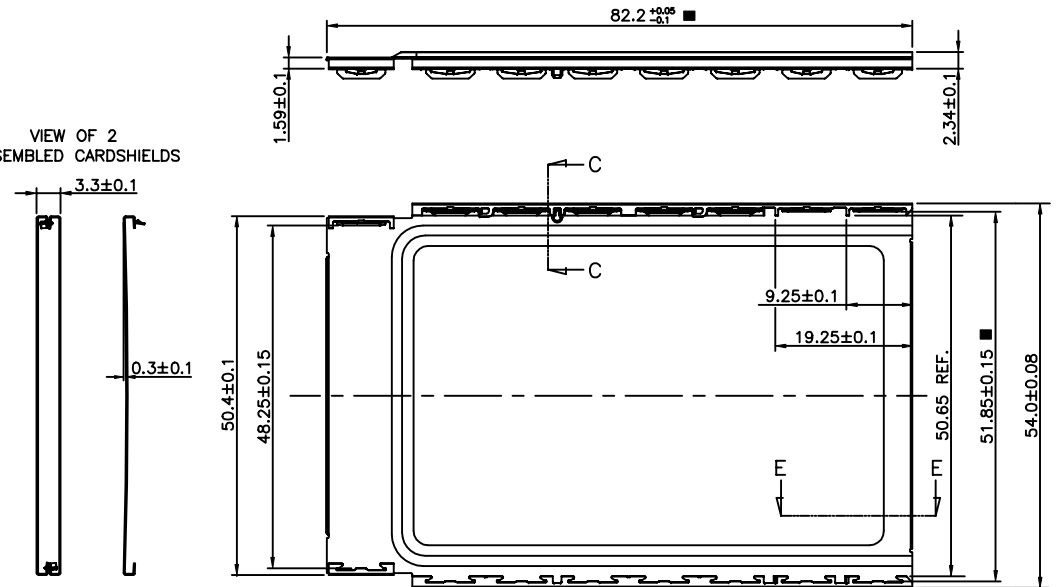
SEC. C-C  
(SCALE 5:1)



SEC. E-E  
(SCALE 3:1)

VIEW OF 2  
ASSEMBLED CARDSHIELDS

VIEW OF 2  
ASSEMBLED CARDSHIELDS



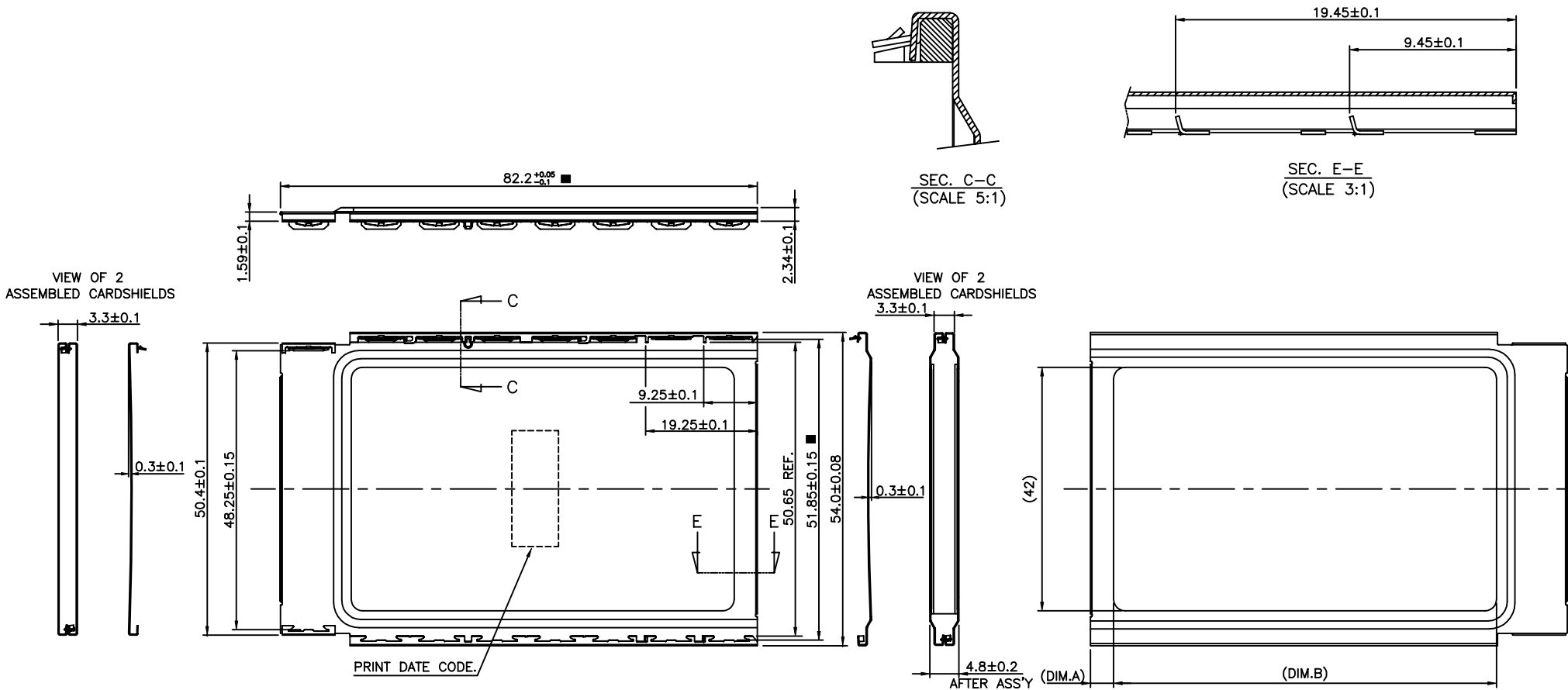
NOTE: 1. ■ : CPK MARK >= 1.5

mat'l code		tolerance unless otherwise specified		CUSTOMER		 www.fciconnect.com	
rev.	ecn no.	dr	date	linear	X. ±0.3	COPY	
F					.X ±0.13	projection	title
				angles	.XX±0.05	ROCARD SHIELD	
				dr	±2°	product family PCMCIA	
				enr	WENDY CHEN 10/21/02	unit	code
				chr	DAVID TENG 10/21/02	mm/inch	size
				appd	TONY CHIEN 10/21/02	scale	dwg no.
					JENN TSAO 10/21/02	A3	10017657
sheet	revision						sheet
index	sheet						2 OF

Tous droits strictement réservés. Reproduction ou communication a des tiers int sous quelque forme que ce soit sans autorisation écrite du propriétaire. Property of c BERG ELECTRONICS. Copyright BERG ELECTRONICS by

All rights strictly reserved. Reproduction or issue to third parties in any for whatever is not permitted without written authority from the proprietor. Property of c BERG ELECTRONICS. Copyright BERG ELECTRONICS by

1	2	3	4	5	6
PRODUCT NUMBER		DIM.A	DIM.B		
10017657-20100 OR 10017657-20100LF		4.0	66		
10017657-20200 OR 10017657-20200LF		7.0	63		



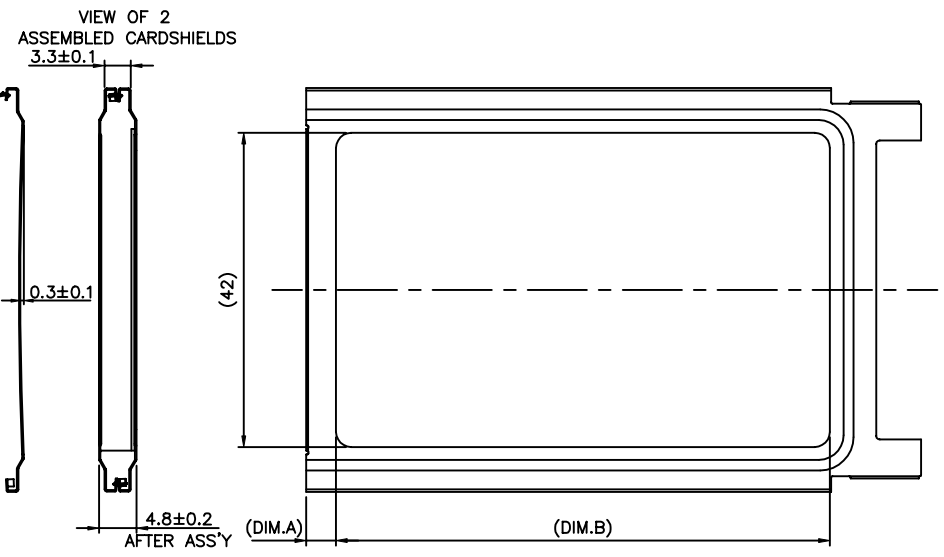
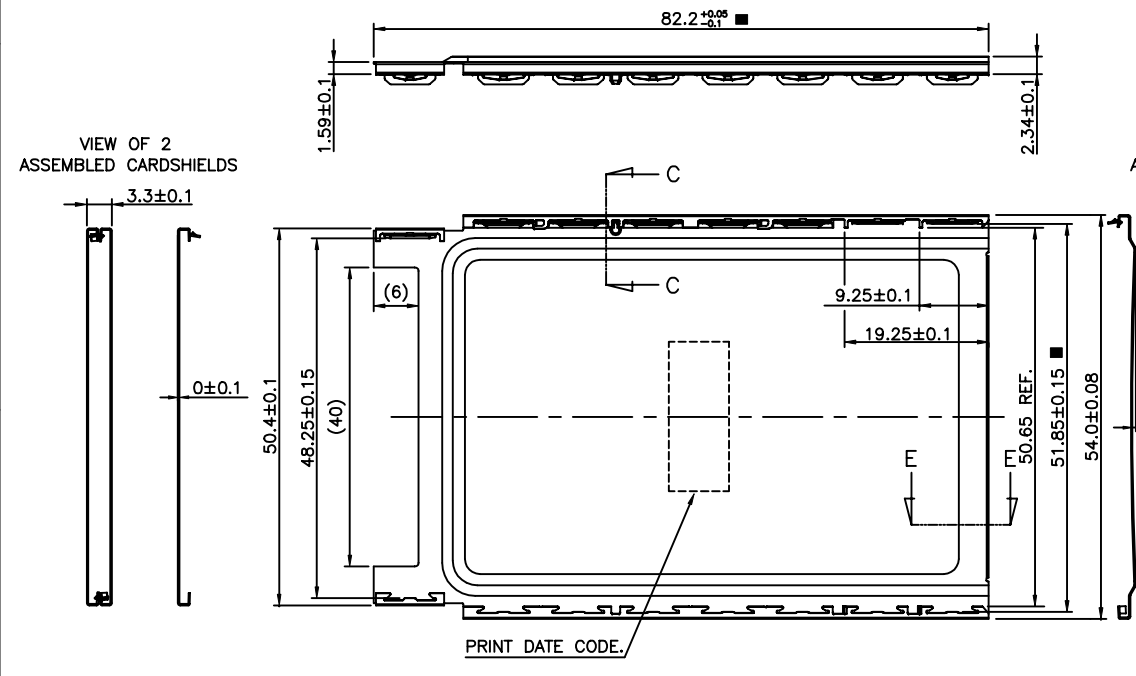
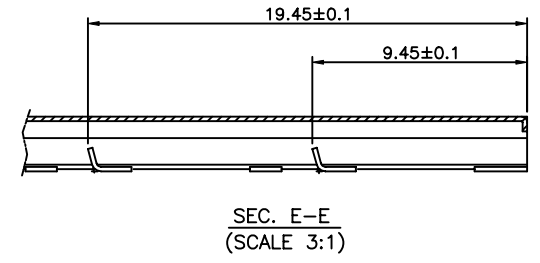
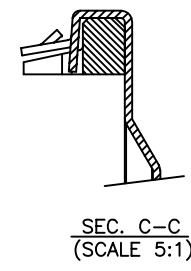
NOTE: 1. ■ : CPK MARK >= 1.5

mat'l code		tolerance unless otherwise specified		CUSTOMER		A FCI		www.fciconnect.com	
rev.	ecn no.	dr	date	linear	X. ±0.3	COPY		title	
F					.X ±0.13	projection	ROCARD SHIELD		
				angles	.XX±0.05	⊕		product family PCMCIA	
				dr	±2°	unit	size		code
				enr		mm/inch	dwg no.		sheet
				chr		scale	10017657		3 OF
				appd					
sheet	revision								
index	sheet								

Tous droits strictement réservés. Reproduction ou communication a des tiers int sous quelque forme que ce soit sans autorisation écrite du propriétaire. Property of c BERG ELECTRONICS. Copyright BERG ELECTRONICS by

All rights strictly reserved. Reproduction or issue to third parties in any for whatever is not permitted without written authority from the proprietor. Property of c BERG ELECTRONICS. Copyright BERG ELECTRONICS by

1	2	3	4	5	6
PRODUCT NUMBER		DIM.A	DIM.B		
10017657-20101 OR 10017657-20101LF		4.0	66		
10017657-20201 OR 10017657-20201LF		7.0	63		



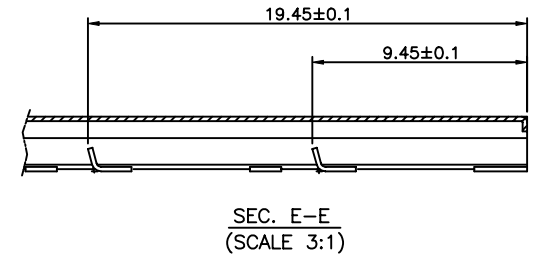
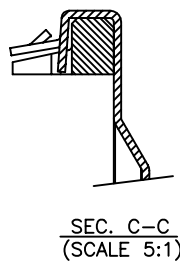
NOTE: 1. ■ : CPK MARK >= 1.5

mat'l code		tolerance unless otherwise specified		CUSTOMER COPY		 www.fciconnect.com	
rev.	ecn no.	dr	date	linear	X. ±0.3	projection	title
F					.X ±0.13		ROCARD SHIELD
				angles	.XX±0.05		product family
				dr	±2°	unit	code
				enr		mm/inch	size
				chr	WENDY CHEN 10/21/02	scale	dwg no.
				appd	DAVID TENG 10/21/02	A3	10017657
sheet	revision				JENN TSAO 10/21/02		sheet
index	sheet						4 OF

Tous droits strictement réservés. Reproduction ou communication à des tiers interdite sans autorisation écrite du propriétaire. Property of c BERG ELECTRONICS. Copyright BERG ELECTRONICS by

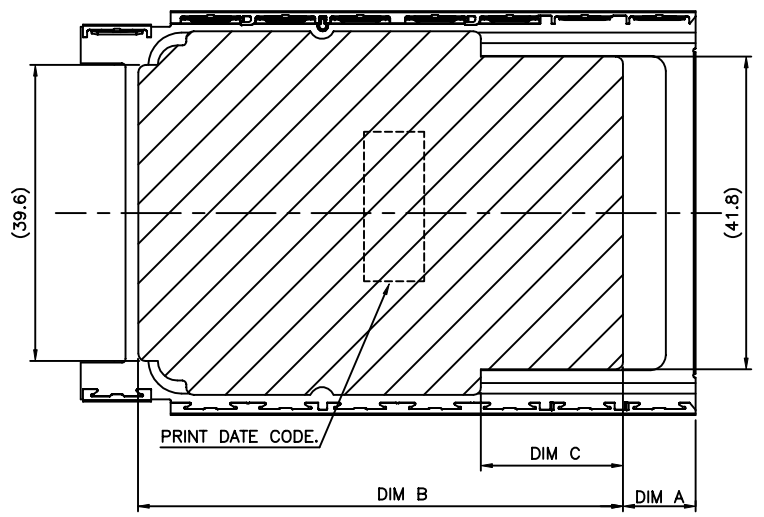
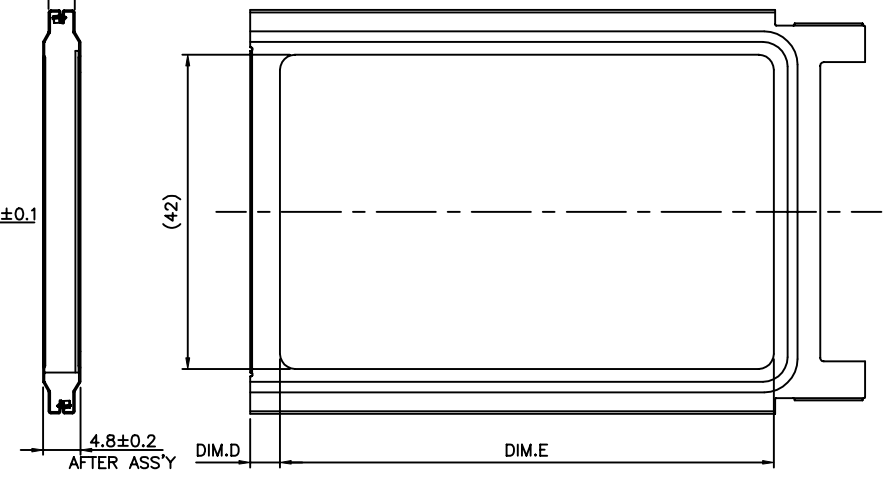
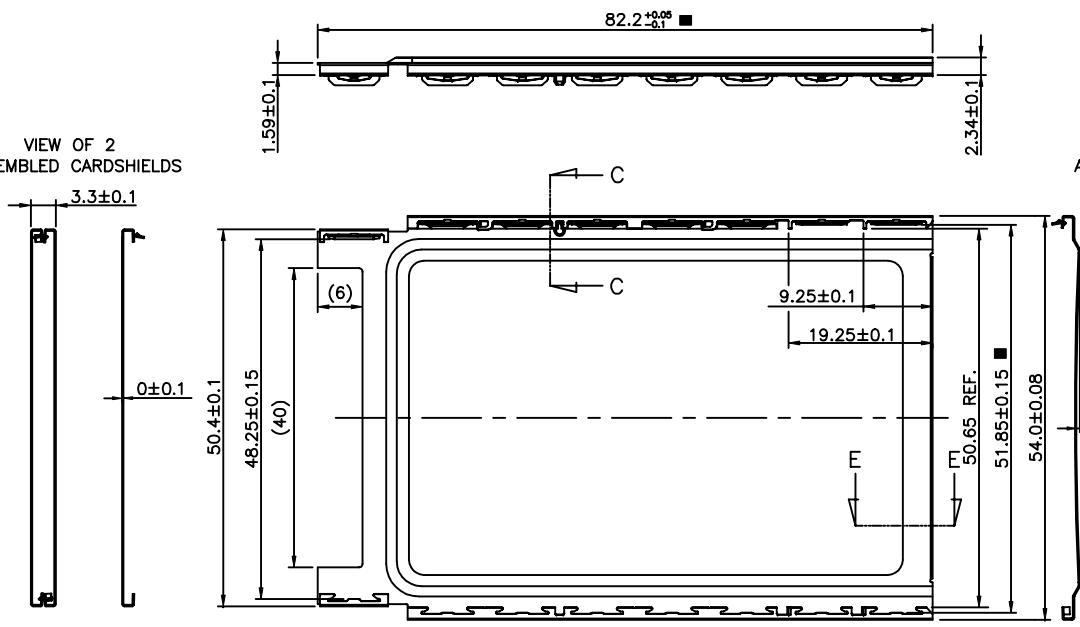
All rights strictly reserved. Reproduction or issue to third parties in any form or by any means, electronic or mechanical, including photocopying, recording, or by any information storage and retrieval system, is not permitted without written authority from the proprietor. Property of c BERG ELECTRONICS. Copyright BERG ELECTRONICS by

PRODUCT NUMBER	DIM A	DIM B	DIM C	DIM D	DIM E
10017657-20111 OR 10017657-20111LF	1.4±1.0	73.1 REF	27.3 REF	4.0	66
10017657-20121 OR 10017657-20121LF	9.7±1.0	64.8 REF	19.0 REF	4.0	66
10017657-20211 OR 10017657-20211LF	1.4±1.0	73.1 REF	27.3 REF	7.0	63
10017657-20221 OR 10017657-20221LF	9.7±1.0	64.8 REF	19.0 REF	7.0	63



VIEW OF 2 ASSEMBLED CARDSHIELDS

VIEW OF 2 ASSEMBLED CARDSHIELDS



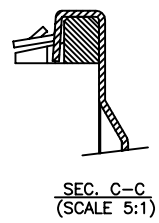
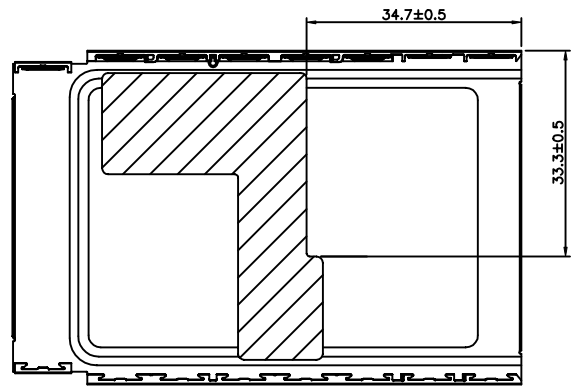
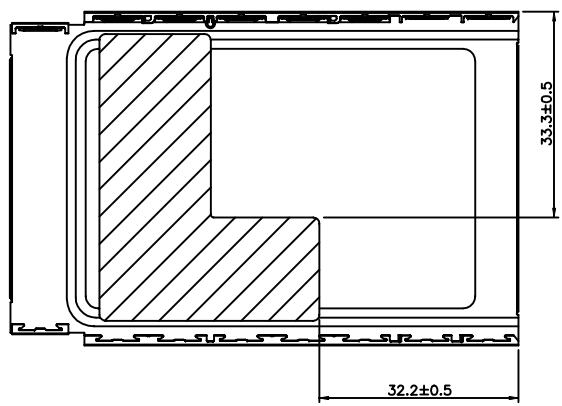
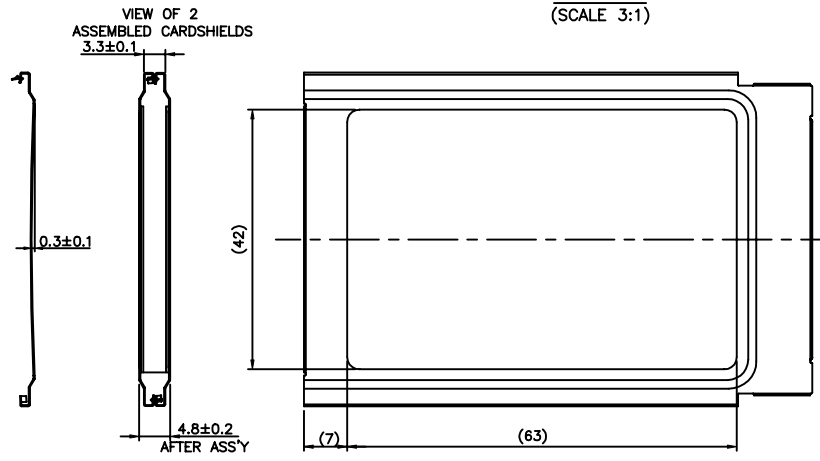
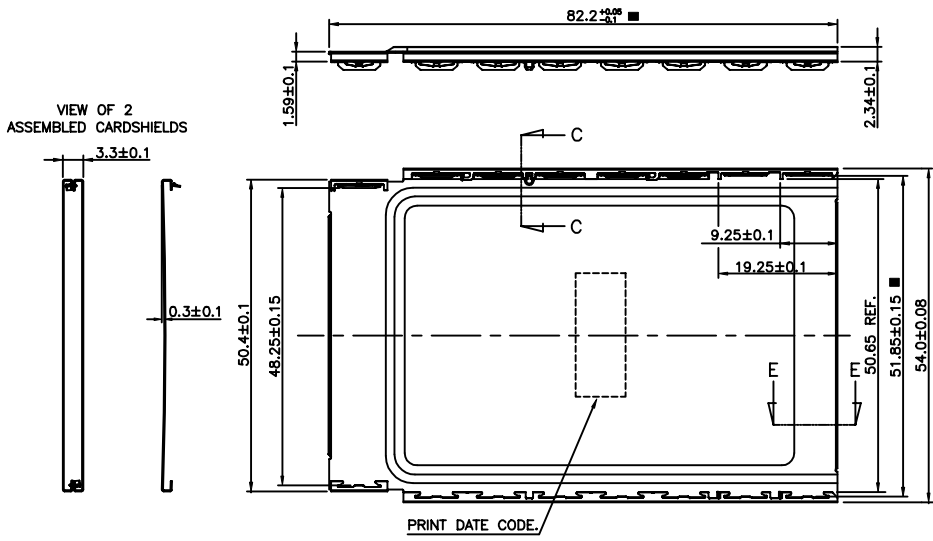
NOTE: 1. ■ : CPK MARK >= 1.5

mat'l code		tolerance unless otherwise specified		CUSTOMER		 www.fciconnect.com	
rev.	ecn no.	dr	date	linear	X. ±0.3	COPY	
F					.X ±0.13	projection	title
				angles	.XX±0.05	ROCARD SHIELD	
				dr	±2°	unit	product family
				enr		mm/inch	PCMCIA
				chr		scale	code
				appd		A3	size
							dwg no.
							10017657
sheet	revision						sheet
index	sheet						5 OF

Tous droits strictement réservés. Reproduction ou communication à des tiers int sous quelque forme que ce soit sans autorisation écrite du propriétaire. Property of c BERG ELECTRONICS. Copyright BERG ELECTRONICS by

All rights strictly reserved. Reproduction or issue to third parties in any for whatever is not permitted without written authority from the proprietor. Property of c BERG ELECTRONICS. Copyright BERG ELECTRONICS by

1	2	3	4	5	6
PRODUCT NUMBER		CISCO P/N			
10017657-20230-C1 OR 10017657-20230-1LF		62-10960-01			
10017657-20230-C2 OR 10017657-20230-2LF		62-10962-01			



P/N: 10017657-20230-C1  
OR  
P/N: 10017657-20230-C1LF

P/N: 10017657-20230-C2  
OR  
P/N: 10017657-20230-C2LF

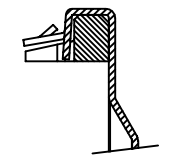
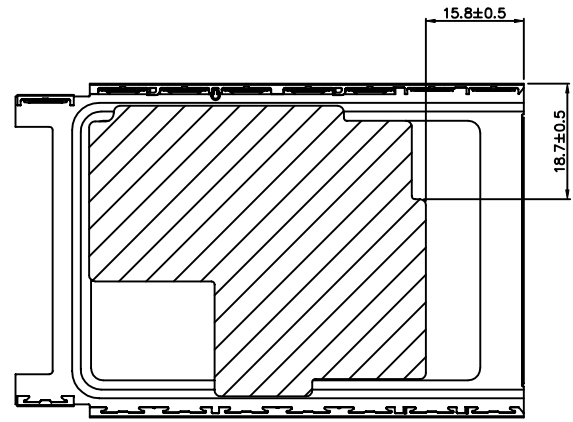
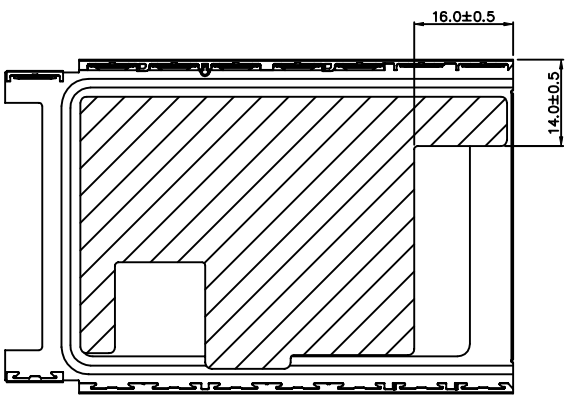
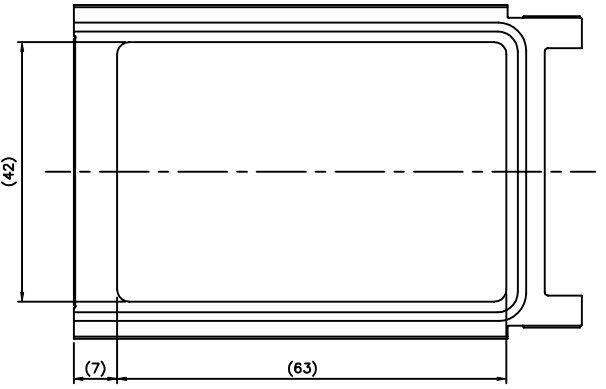
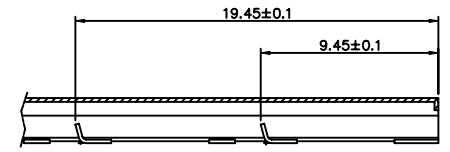
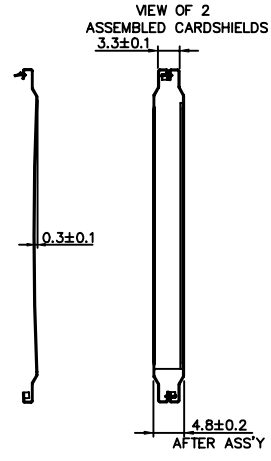
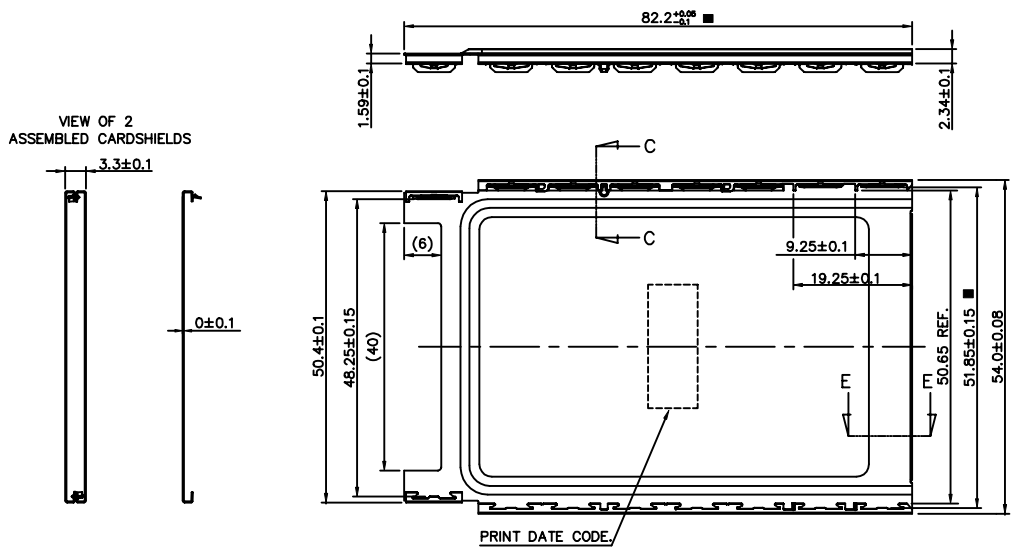
NOTE: 1. ■ : CPK MARK >= 1.5

mat'l code				tolerance unless otherwise specified				CUSTOMER		 www.fciconnect.com	
rev. ecn no. dr date				linear		X. ±0.3		COPY			
F						.X ±0.13		projection		title	
				angles		.XX ±0.05				ROCARD SHIELD CUSTOMIZED INSULATOR	
				dr		WENDY CHEN 04/03/03		unit		product family	
				enr		DAVID TENG 04/03/03		mm/inch		PCMCIA	
				chr		TONY CHIEN 04/03/03		scale		code	
				appd		JENN TSAO 04/03/03		A3		size	
										dwg no.	
										10017657	
										sheet	
										6 OF	
sheet revision											
index sheet											

Tous droits strictement réservés. Reproduction ou communication a des tiers int sous quelque forme que ce soit sans autorisation écrite du propriétaire. Property of c BERG ELECTRONICS. Copyright BERG ELECTRONICS by

All rights strictly reserved. Reproduction or issue to third parties in any for whatever is not permitted without written authority from the proprietor. Property of c BERG ELECTRONICS. Copyright BERG ELECTRONICS by

1   PRODUCT NUMBER		2   CISCO P/N	
10017657-20231-C1 OR 10017657-20231-1LF		62-10959-01	
10017657-20231-C2 OR 10017657-20231-2LF		62-10961-01	



SEC. C-C (SCALE 5:1)

NOTE: 1. ■ : CPK MARK >= 1.5

P/N: 10017657-20231-C1  
OR  
P/N: 10017657-20231-C1LF

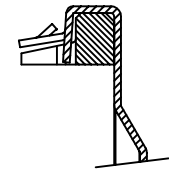
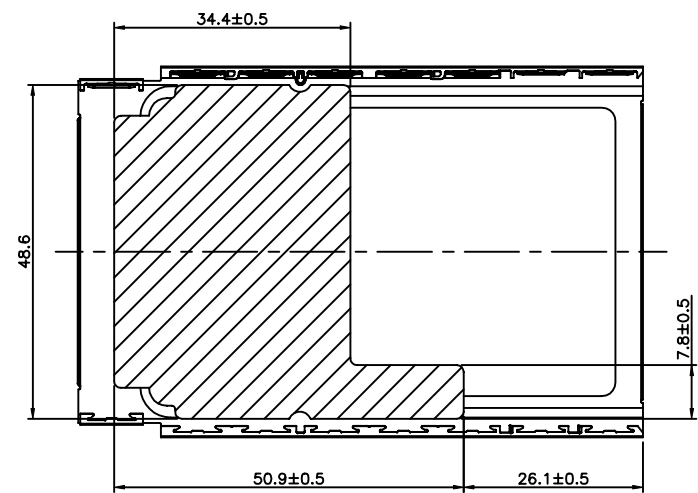
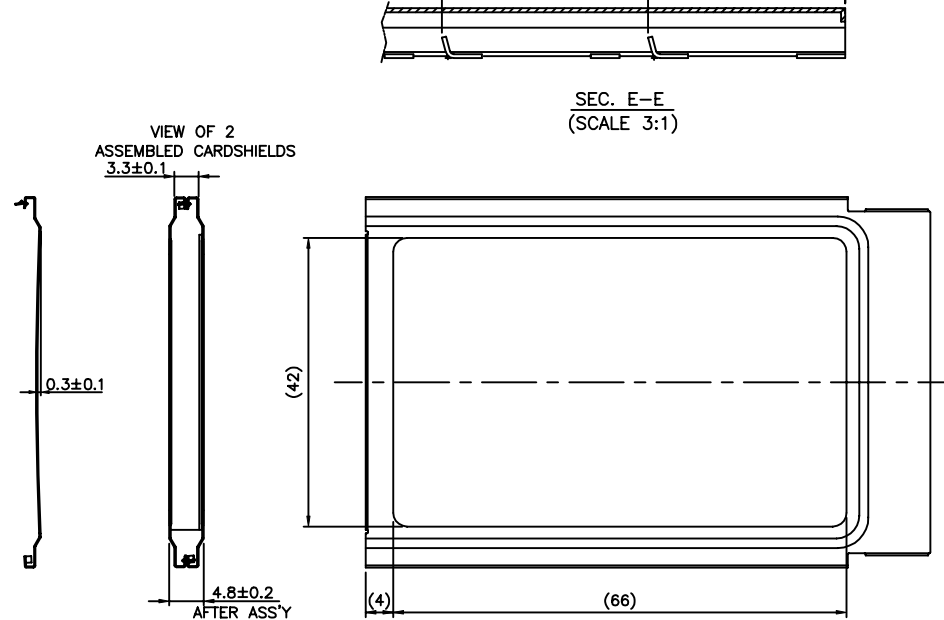
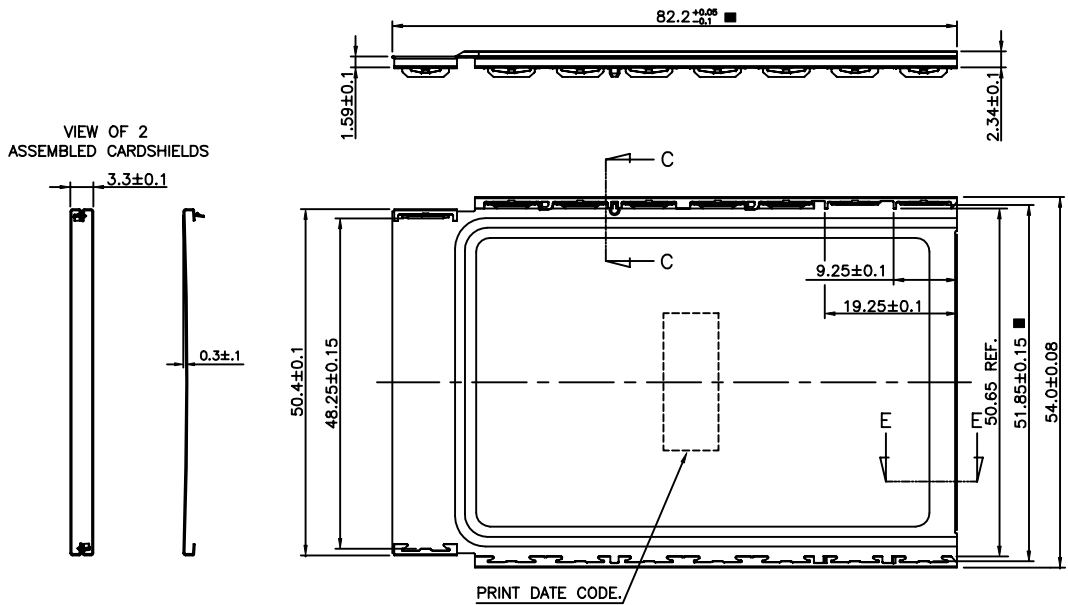
P/N: 10017657-20231-C2  
OR  
P/N: 10017657-20231-C2LF

mat'l code		tolerance unless otherwise specified		CUSTOMER COPY		 www.fciconnect.com	
rev.	ecn no.	dr	date	linear	X. ±0.3	projection	title
F					.X ±0.13		ROCARD SHIELD CUSTOMIZED INSULATOR
				angles	.XX±0.05		product family
					±2°	unit	code
				dr	WENDY CHEN 04/03/03	mm/inch	size
				enr	DAVD TENG 04/03/03	scale	dwg no.
				chr	TONY CHEN 04/03/03	A3	10017657
				appd	JENN TSAO 04/03/03		sheet
sheet	revision						7 of
index	sheet						

Tous droits strictement réservés. Reproduction ou communication à des tiers int  
 sous quelque forme que ce soit sans autorisation écrite du propriétaire.  
 Property of c BERG ELECTRONICS  
 Copyright BERG ELECTRONICS by

All rights strictly reserved. Reproduction or issue to third parties in any for  
 whatever is not permitted without written authority from the proprietor.  
 Property of c BERG ELECTRONICS  
 Copyright BERG ELECTRONICS by

1	2	3	4	5	6
PRODUCT NUMBER		GEMTEK P/N			
10017657-20130-G1 OR 10017657-20130-1LF		23-600-0027			



SEC. C-C  
(SCALE 5:1)

NOTE: 1. ■ : CPK MARK >= 1.5

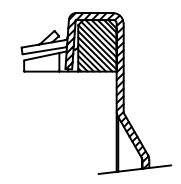
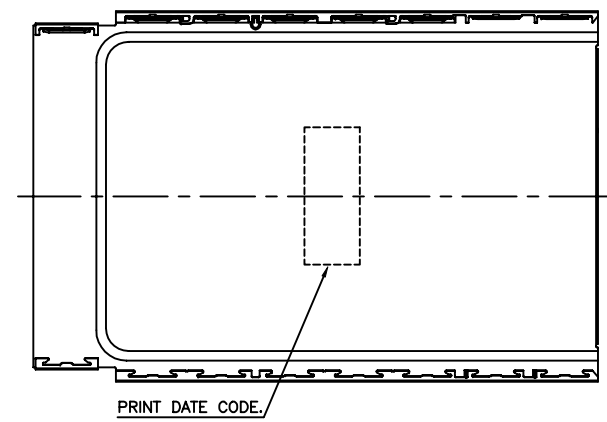
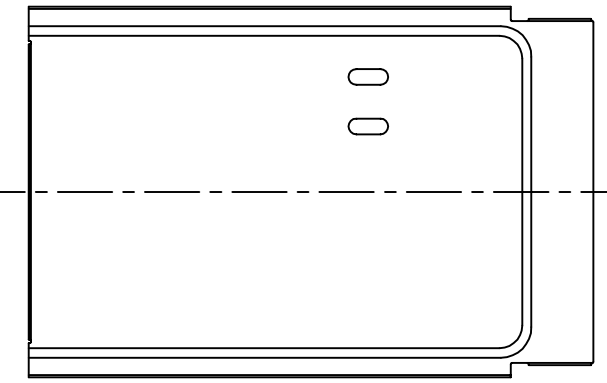
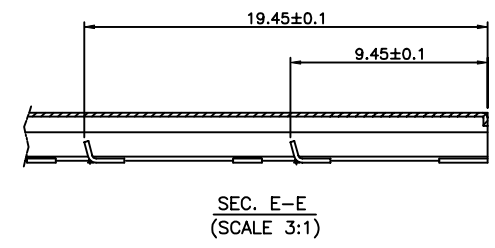
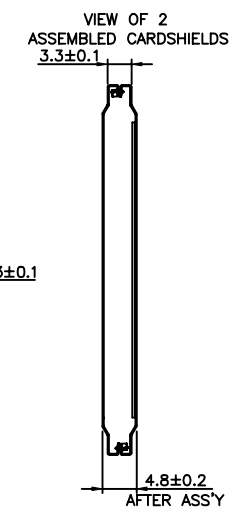
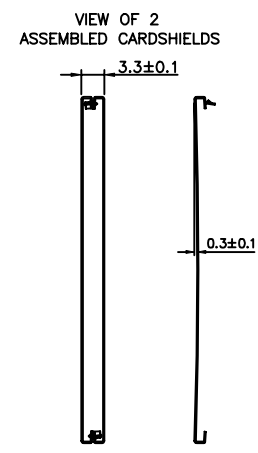
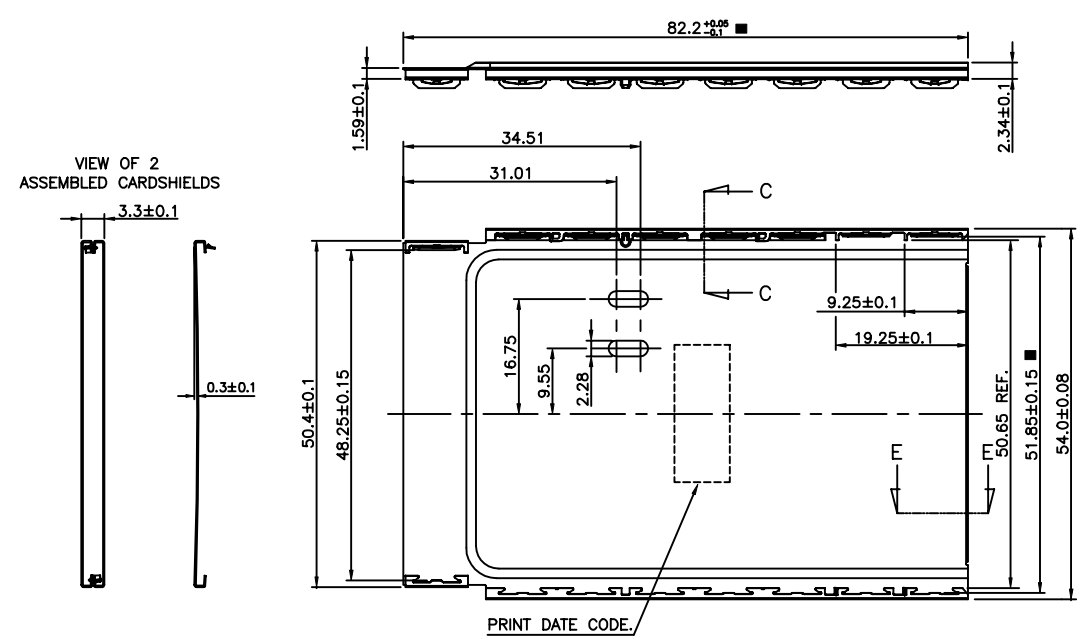
mat'l code		tolerance unless otherwise specified		CUSTOMER COPY		 www.fciconnect.com		
rev.	ecn no.	dr	date	linear	X. ±0.3	projection	title	
F					.X ±0.13		ROCARD SHIELD CUSTOMIZED INSULATOR	
				angles	.XX±0.05		product family	code
				dr	±2°	unit	PCMCIA	
				enr		mm/inch	size	dwg no.
				chr	WENDY CHEN 07/15/03	scale	A3	10017657
				appd	DAVID TENG 07/15/03			sheet
					TONY CHIEN 07/15/03			8 OF
					JENN TSAO 07/15/03			
sheet	revision							
index	sheet							



Tous droits strictement réservés. Reproduction ou communication a des tiers int sous quelque forme que ce soit sans autorisation écrite du propriétaire. Property of c BERG ELECTRONICS. Copyright BERG ELECTRONICS by

All rights strictly reserved. Reproduction or issue to third parties in any for whatever is not permitted without written authority from the proprietor. Property of c BERG ELECTRONICS. Copyright BERG ELECTRONICS by

1   PRODUCT NUMBER		2   REMARK		3		4		5		6	
10017657-20000 OR 10017657-20000LF		STANDARD TYPE (NONE OVAL-SHAPE HOLE)									
10017657-20000-01 OR 10017657-20000-1LF		FOR NOVATEL SPECIAL REQUEST (WITH OVAL-SHPAE HOLE)									



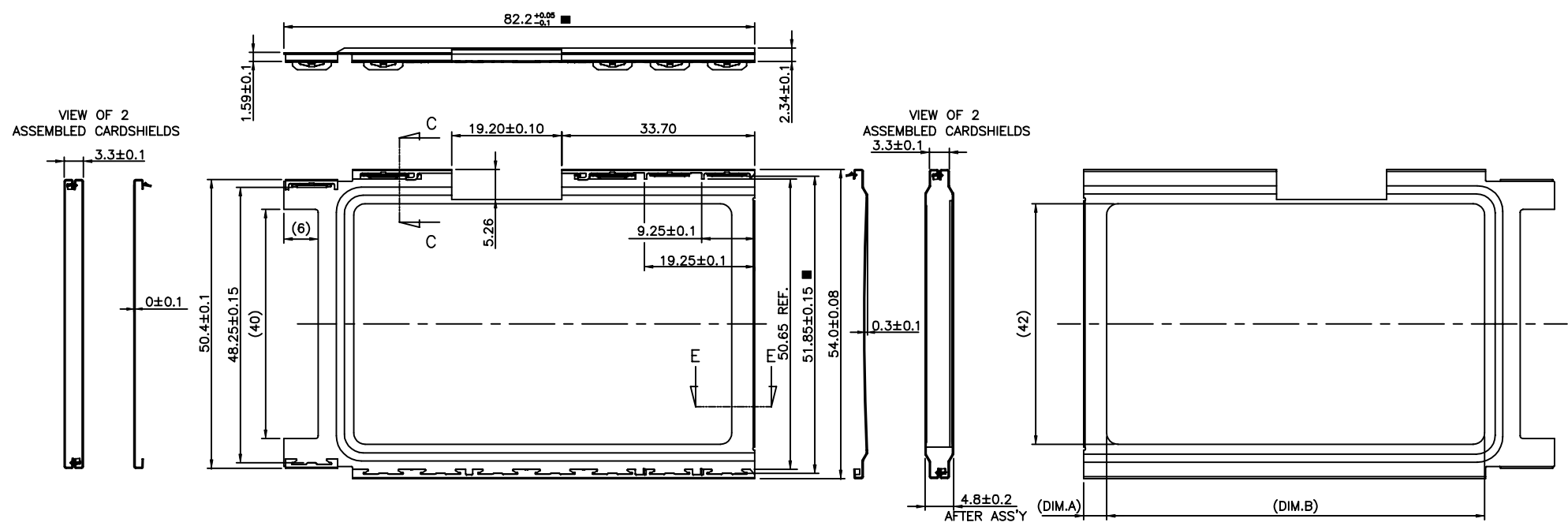
NOTE: 1. ■ : CPK MARK >= 1.5

P/N: 10017657-20000 OR 10017657-20000LF

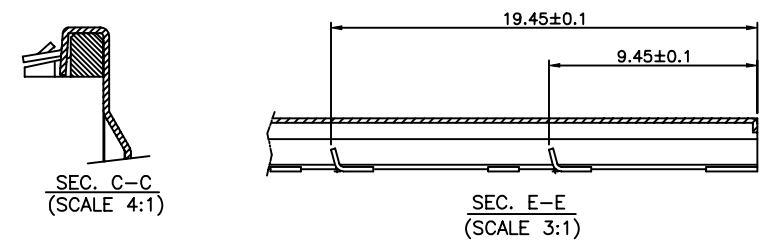
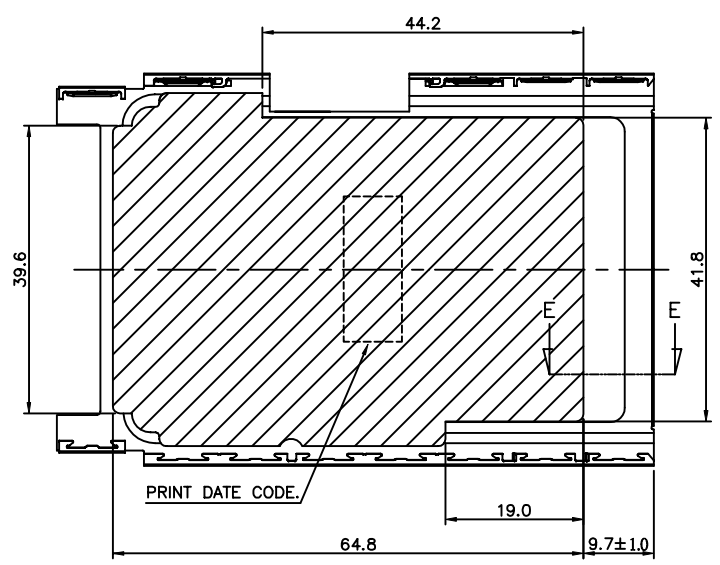
mat'l code		tolerance unless otherwise specified		CUSTOMER COPY		 www.fciconnect.com	
rev.	ecn no.	dr	date	linear	X. ±0.3	projection	title
F					.X ±0.13		ROCARD SHIELD CUSTOMIZED REQUIREMENT
				angles	.XX±0.05		product family
				dr	WENDY CHEN 04/03/06	unit	code
				enr	DAVID TENG 04/03/06	mm/inch	size
				chr	DAVID TENG 04/03/06	scale	dwg no.
				appd	JOSEPH HSIA 04/03/06	A3	10017657
sheet index	revision sheet						sheet 9 OF

1		2		3		4		5		6	
PRODUCT NUMBER		DIM.A	DIM.B	FRAME		INSULATOR					
10017657-20201-1LF		7.0	63	YES WITH SPECIAL CUT		YES					

Tous droits strictement réservés. Reproduction ou communication a des tiers int  
 sous quelque forme que ce soit sans autorisation écrite du propriétaire.  
 Property of c BERG ELECTRONICS  
 Droits de reproduction BERG ELECTRONICS by



All rights strictly reserved. Reproduction or issue to third parties in any for  
 whatever is not permitted without written authority from the proprietor.  
 Property of c BERG ELECTRONICS.  
 Copyright BERG ELECTRONICS by



NOTE: 1. ■ : CPK MARK >= 1.5

P/N: 10017657-20201-1LF

mat'l code				tolerance unless otherwise specified				CUSTOMER		 www.fciconnect.com		
rev.	ecn no.	dr	date	linear	X. ±0.3		COPY		title ROCARD SHIELD CUSTOMIZED REQUIREMENT			
H					.X ±0.13		projection				product family PCMCIA code	
					.XX±0.05							
				angles	±2°		scale		product no. 10017657			
				dr	WENDY CHEN 05/10/06		unit		sheet			
				enr	DAVID TENG 05/10/06		mm/inch		100F			
				chr	DAVID TENG 05/10/06		scale					
				appd	JOSEPH HSIA 05/10/06							
sheet	revision											
index	sheet											